

3-terminal Filters

For High-speed Signal Line

Conformity to RoHS Directive

MEM Series MEM1608D

FEATURES

- Multilayer chip EMC filter utilizing an L-type circuit.
- Entirely monolithic structure results in high reliability.
- Due to closed magnetic circuit architecture, high-density installation becomes possible, and crosstalk generation is prevented.
- Steep attenuation characteristic plot. Highly effective noise suppression.
- Covers a wide range of frequencies.
- MEM1608D is a coil type EMC filter.
- This product is low profile type with the height of 0.6mm.

APPLICATIONS

Computer and computer peripherals, VCRs, TVs, car audio equipment, printers, game machines, etc.

TEMPERATURE RANGE

Operating	-40 to +85°C
Storage(After mount)	-40 to +85°C

PACKAGING STYLE AND QUANTITIES

Packaging style	Quantity
Taping	4000 pieces/reel

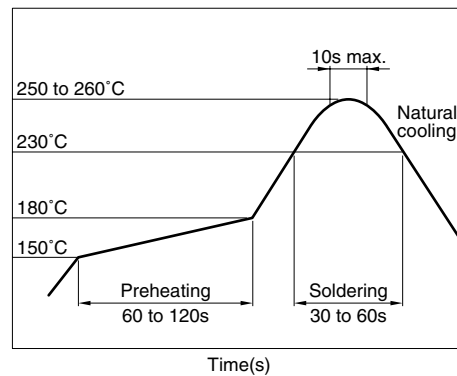
PRODUCT IDENTIFICATION

MEM	1608	D	201R	T	□□□
(1)	(2)	(3)	(4)	(5)	(6)

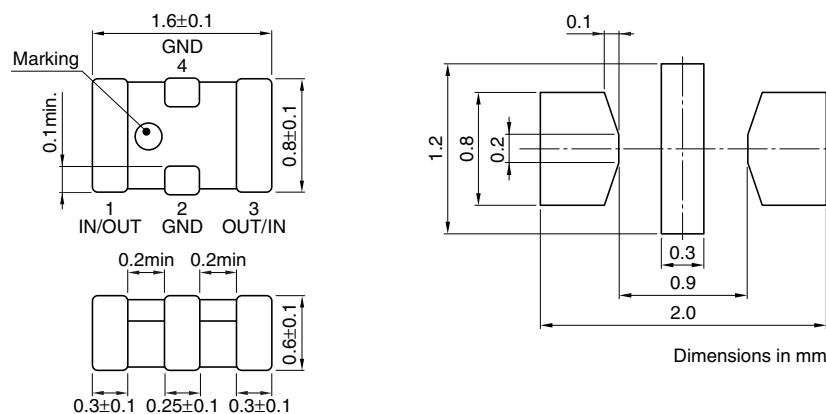
- (1) Series name
- (2) Dimensions L×W
- (3) Type name
- (4) Cutoff frequency 201R: 200MHz
- (5) Packaging style T:Taping
- (6) TDK internal code

RECOMMENDED SOLDERING CONDITION

REFLOW SOLDERING



SHAPES AND DIMENSIONS/RECOMMENDED PC BOARD PATTERN



- Conformity to RoHS Directive: This means that, in conformity with EU Directive 2002/95/EC, lead, cadmium, mercury, hexavalent chromium, and specific bromine-based flame retardants, PBB and PBDE, have not been used, except for exempted applications.
- Please contact our Sales office when your application is considered the following:
The device's failure or malfunction may directly endanger human life (e.g. application for automobile/aircraft/medical/nuclear power devices, etc.)

• All specifications are subject to change without notice.

ELECTRICAL CHARACTERISTICS

Part No.	Cutoff frequency (MHz)	Rated voltage Edc(V)max.	Rated current (mA)max.
MEM1608D201R	200	6.3	200
MEM1608D301R	300	6.3	200
MEM1608D401R	400	6.3	200
MEM1608D501R	500	6.3	200

TYPICAL ELECTRICAL CHARACTERISTICS

ATTENUATION vs. FREQUENCY CHARACTERISTICS

